

MINI JUMPER

INSTRUCTION MANUAL

41734100
MSC-3720-H



DANGER

- DO NOT attempt somersaults or flips. Paralysis or death can result if you land on your head or neck!
- No more than one person on the trampoline at a time. Multiple users increase the risk of injury.
- Use trampoline only with adult supervision.

WARNING

- **SAFETY INFORMATION, INSTALLATION AND MAINTENANCE INSTRUCTIONS:
READ THESE MATERIALS PRIOR TO ASSEMBLING AND USING THE TRAMPOLINE.**
- Maximum weight of the user shall NOT exceed 77lbs/35kg for this product.

CUSTOMER SERVICE
Toll Free: 1-800-333-061
MONDAY-FRIDAY, 9 A.M. -5 P.M. CENTRAL TIME

! DANGER



NO SOMERSAULTS OR FLIPS – PARALYSIS OR DEATH can result if you land on your head or neck!



No more than ONE user at a time (maximum weight - 77lbs/35kg).



Do not use if in a cast or have previous leg, arm, head, neck or back injury.



Do not allow children less than three (3) years of age to use.



Remove all hard or sharp objects including jewellery, eyeglasses, sunglasses or hairclips before jumping.



Do not use without the consent of your physician, if pregnant.



- Use trampoline only with mature, knowledgeable adult supervision.
 - Do not attempt or allow somersaults. Landing on the head or neck can cause serious injury, paralysis, or death, even when landing in the middle of the mat.
 - Do not allow more than one person on the trampoline. Use by more than one person at the same time increases the chance of injury.
-

Important Warnings.....	1
Trampoline Parts List.....	3
Trampoline Frame Assembly.....	4
Trampoline Mat Assembly	7
Product Warranty	15

! DANGER

- Use trampoline only with mature, knowledgeable adult supervision.
 - Do not attempt or allow somersaults. Landing on the head or neck can cause serious injury, paralysis, or death, even when landing in the middle of the mat.
 - Do not allow more than one person on the trampoline. Use by more than one person at the same time increases the chance of injury.
-

Important Warnings



Carefully read these warnings before using this product. Failure to follow these warnings can result in serious injury or death.

! DANGER

- Only one user at any one time! Multiple users can cause loss of control, collision or falls on the trampoline. This could result in serious injury to legs, arms, back, neck or head.
- Do not use the trampoline when under the influence of alcohol, drugs or medication, which may impair the jumper's judgement.
- Always consult your physician before performing any kind of physical activity.
- Do not use the trampoline if you have high blood pressure.
- Do not use the trampoline if you have a medical history of neck or back injuries or mental or physical conditions that could cause injury.
- Do not use if the user has any broken bones (casts) or has recently been in the hospital for extensive treatments (operations, severe wounds, stitches, back injury or concussion).
- Do not use without the consent of your physician, if pregnant.
- Do not use the trampoline during windy conditions or if the user or the trampoline surface is wet. These conditions can cause the user to lose control and fall resulting in serious injury.

DANGER

- Use trampoline only with mature, knowledgeable adult supervision.
 - Do not attempt or allow somersaults. Landing on the head or neck can cause serious injury, paralysis, or death, even when landing in the middle of the mat.
 - Do not allow more than one person on the trampoline. Use by more than one person at the same time increases the chance of injury.
-











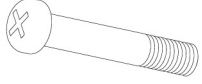







Carefully read these warnings before using this product. Failure to follow these safety instructions can result in serious injury or death.

WARNING

Proper Play Conditions:

- Always use the product in a well-lit area. Do not use without lighting during dawn, dusk or in complete darkness!
- The trampoline must be placed on a surface that is **COMPLETELY FLAT AND LEVELLED**. If the ground is uneven, this could cause movement in the frame and could cause stress on the joined sections of the frame that could damage the trampoline and/or can cause serious injury.
- **DO NOT** install or position this trampoline on a hard surface such as concrete, tarmac or paving. Suitable surfaces are grass, sand or a play area covered with an appropriate depth of play bark material.
- Maintain clear space on all sides of the product. Make sure that there are no hazardous objects above, below or near the trampoline. Such objects include walls, fences, tree limbs/trunks, electrical power wiring, rocks, sprinkler heads or other recreational objects (i.e. swing sets, swimming pools). Children can be seriously injured by colliding with such obstacles.
- The product must not be used in windy conditions as wind can cause unexpected movement of the product. Wind can cause the trampoline to be lifted off the ground and become airborne. This can present a danger to individuals and to property. Winds can be especially strong in open areas, foothills, mountains, locations subject to hurricanes and tornadoes, areas between homes that create wind tunnels and anywhere else where local weather conditions can create high winds. We recommend that you move the product indoors and store it properly during periods of non-use.

Trampoline Parts List

KEY NUMBER	DIAGRAM	DESCRIPTION	QUANTITY
1A		Front base frame	1
1B		Side base frame	2
2		Back base frame	1
3		Left handlebar	1
4		Right handlebar	1
5		Jumping mat with padding	1
6		Elastic bungee cord	1
7		Rubber stopper	4
8		M6 X33MM SCREW	4
9		M6 X36MM SCREW	4
10		Washer	16
11		Nut	8
12		Closing clamp	1
13		PVC tubing cover	1
14		Allen key	1
15		Wrench	1

Trampoline Frame Assembly

BEFORE YOU BEGIN: Review all steps before assembly and read all precautions before using the trampoline. At least two adults are required to assemble this trampoline. Protective gloves should be used during assembly to avoid injuries during installation. Goggles should be worn to avoid injuries to the eyes.

WARNING

Make sure that you have plenty of space and a clean dry area suitable for the assembly of this trampoline. **IT IS ESSENTIAL THAT THE INTENDED SITE FOR THIS TRAMPOLINE IS COMPLETELY FLAT AND LEVELLED.** If the ground is uneven this could cause movement in the frame and could cause stress on the joined sections of the frame that could damage the trampoline and/or can cause serious injury.

Step 1 – Frame Assembly

Connect Left Handlebar (# 3) and Right Handle Bar (# 4) together as shown in FIGURE1

ASSEMBLY TIPS:

1. **DO NOT OVER-TIGHTEN THE NUTS AND BOLTS INITIALLY TO ALLOW ROOM FOR ADJUSTMENT DURING INSTALLATION.**
2. **WHEN YOU HAVE FINISHED ASSEMBLING THE ENTIRE UNIT, GO BACK OVER EACH STEP AND FULLY SECURE ALL OF THE NUTS AND BOLTS AND CLOSE THE PLASTIC CAP COVERS.**

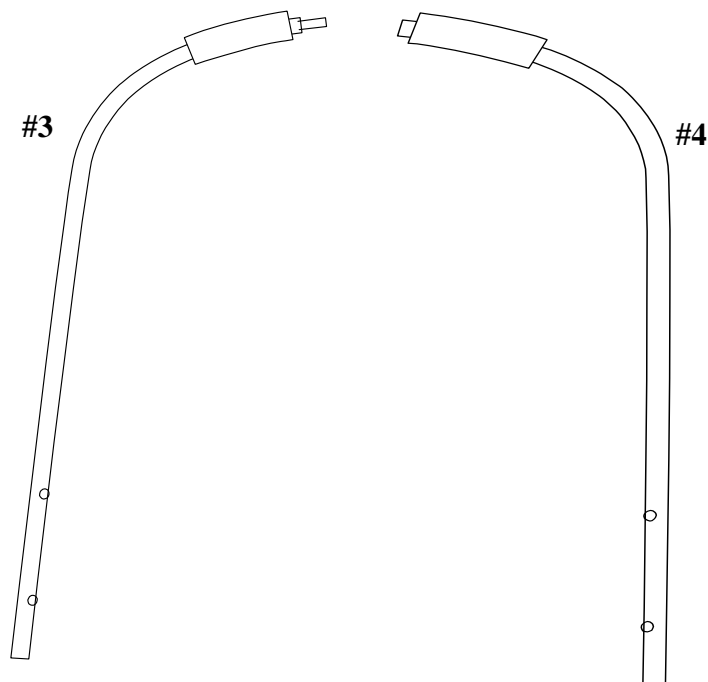


FIGURE 1

Step 2

On a clean and flat surface, lay out the four base frames on the ground as shown in FIGURE 2. Make sure the indented sides of #1A and #1B are facing each other.

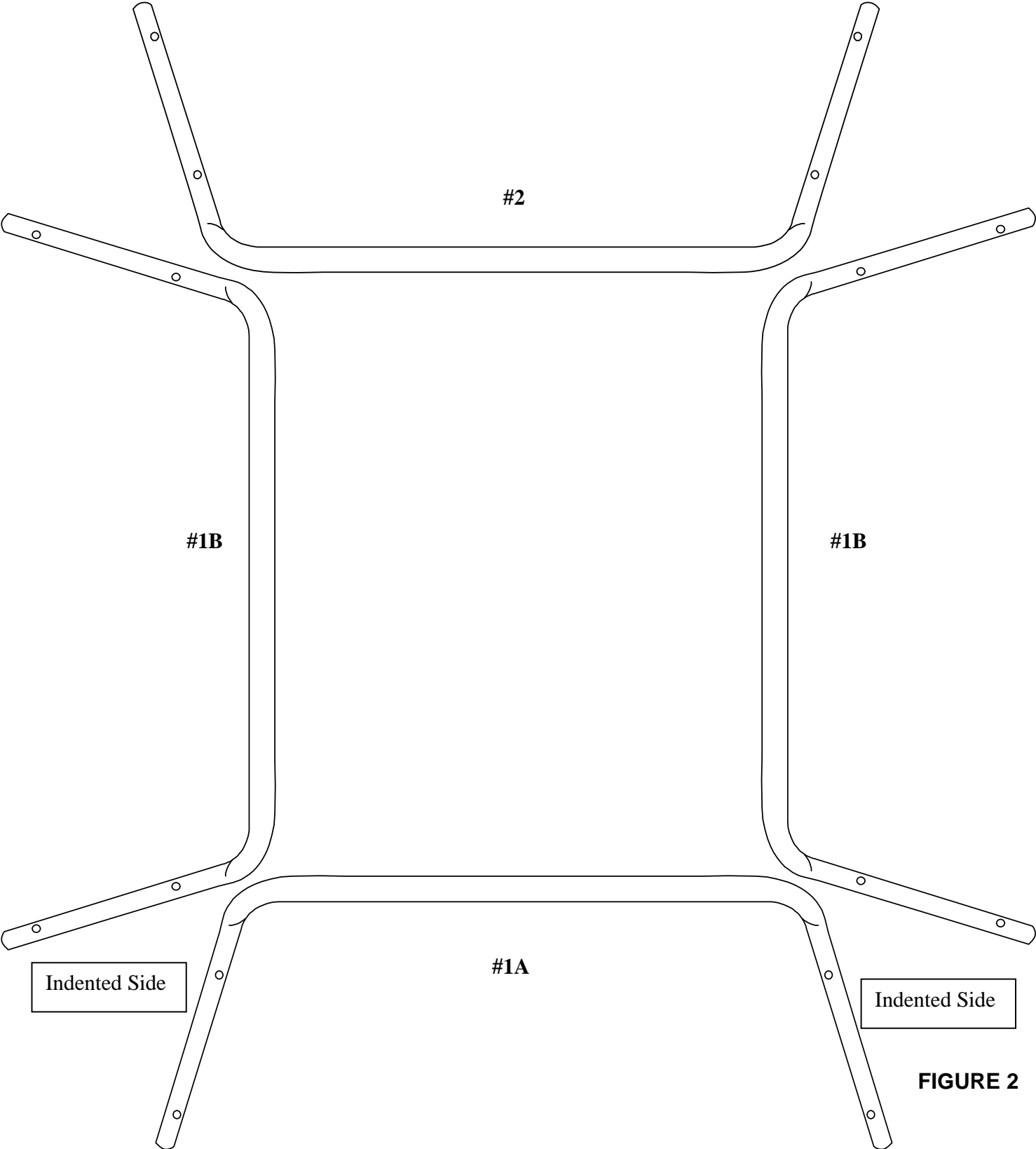


FIGURE 2

TRAMPOLINE FRAME ASSEMBLY

Step 3

Connect the four base frames as shown in FIGURE 3 and 4. Note the handlebar assembled in Step 1 needs to be placed in between base frames #1A and #1B and secured together. Do not over-tighten the bolts initially to allow room for adjustment.

When assembly is finished, check to make sure the frames are even on all sides and stable on the ground and then fully tighten all the bolts.

FIGURE 3

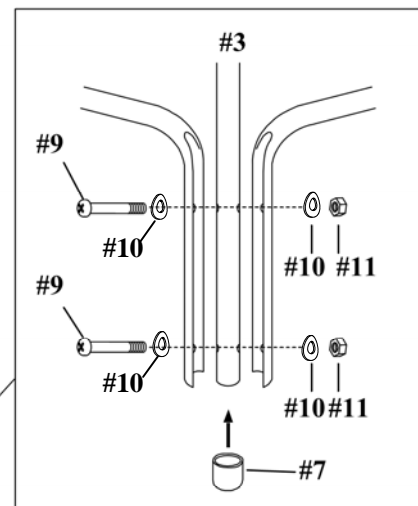
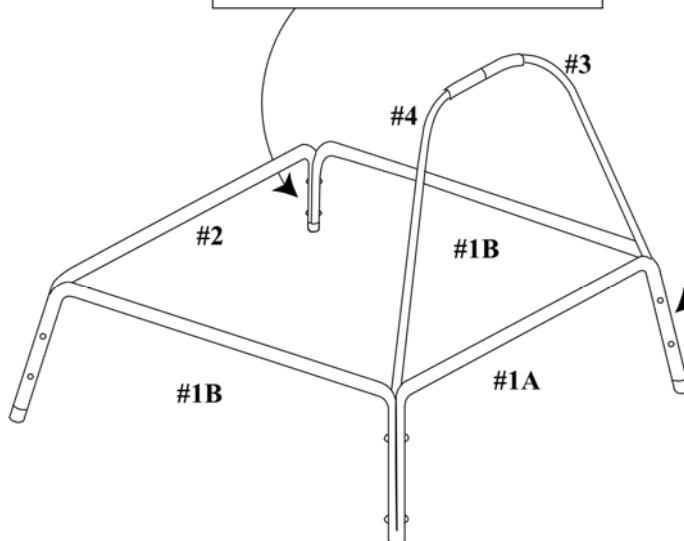
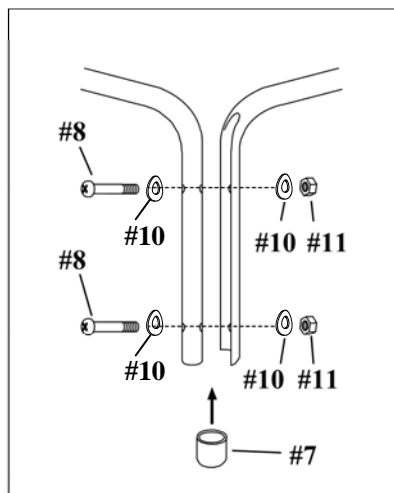


FIGURE 4

Trampoline Mat Assembly

Step 4

Loop and secure Elastic Bungee Cord (#6) to the back leg frame as shown in FIGURE 5.

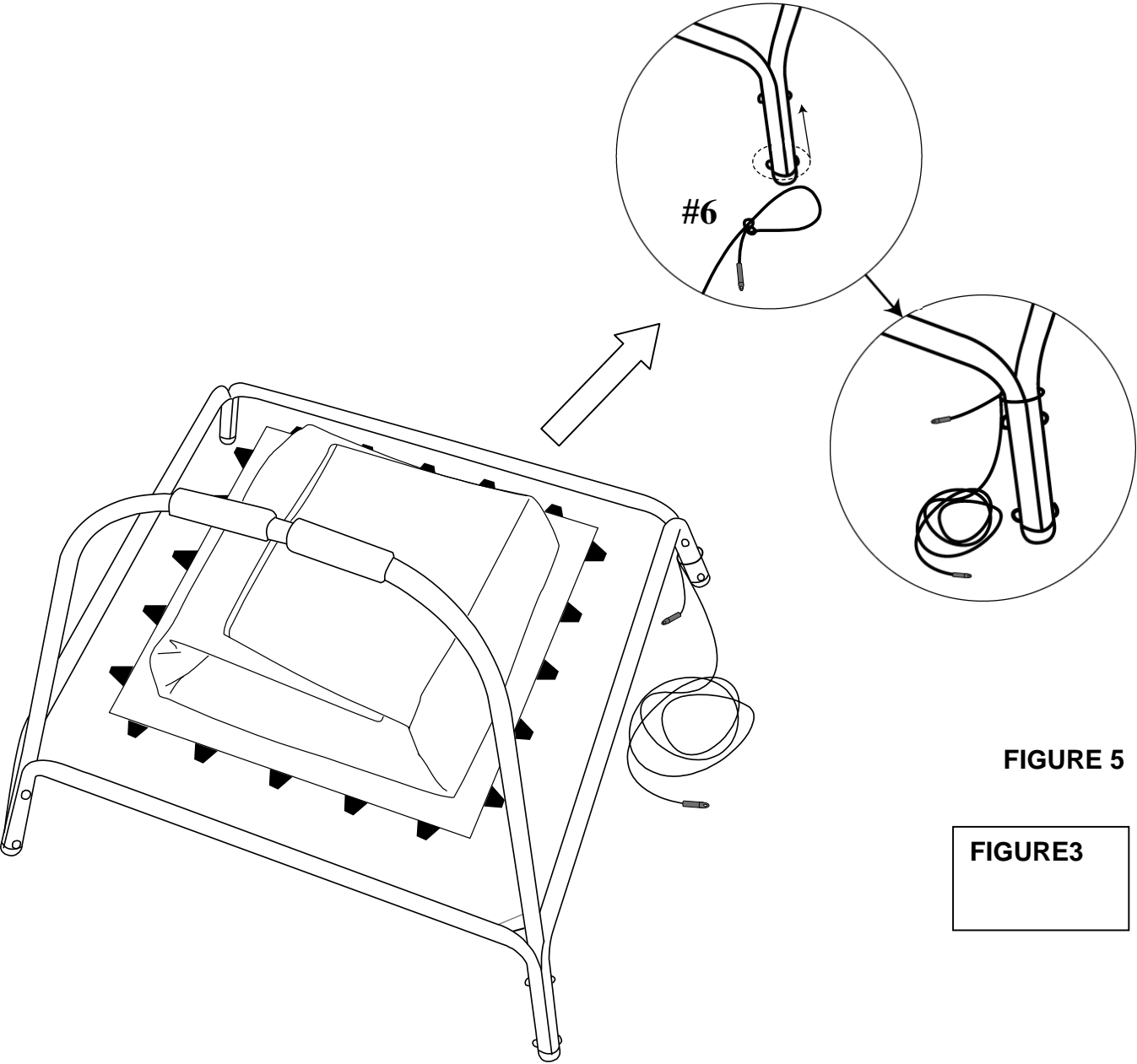


FIGURE 5

FIGURE3

Step 5

Place Jumping Mat with Padding (#5) over the trampoline frame, making sure the two padded corners with touch fasteners are facing the side of frame with handle as shown in FIGURE 6.

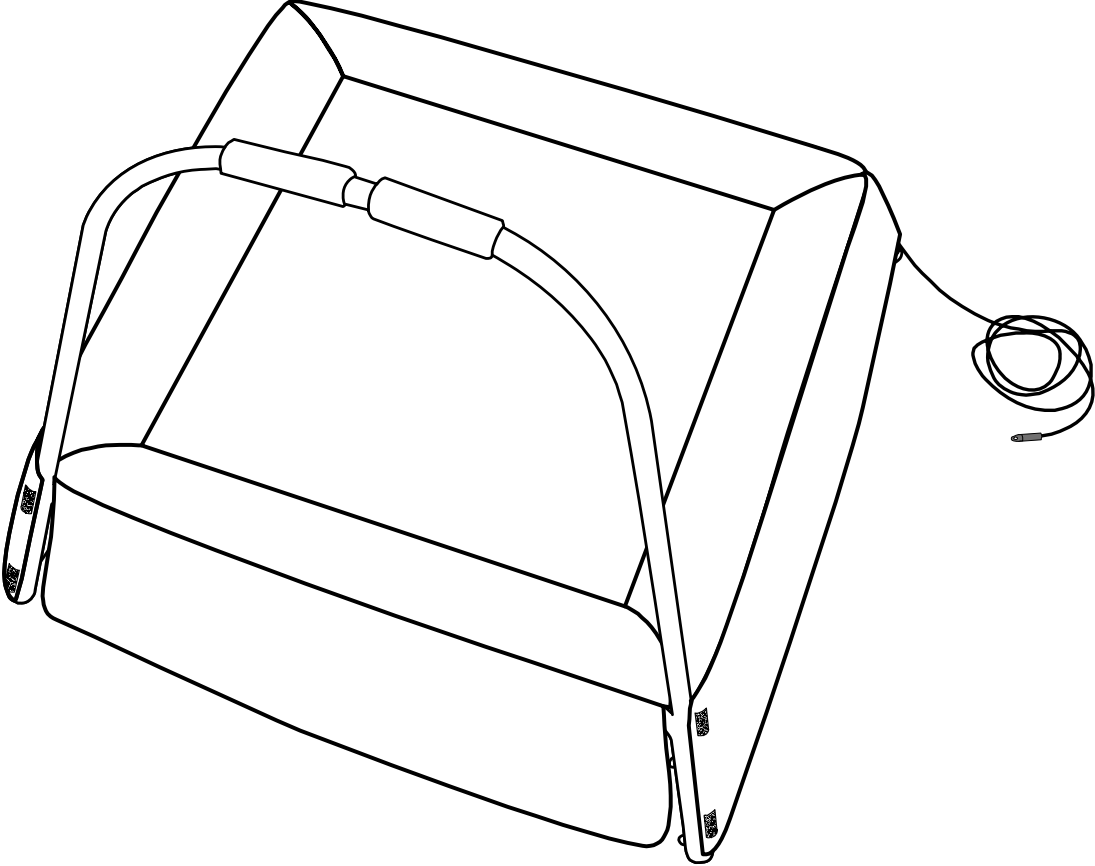


FIGURE 6

Step 6

Flip the edge of pad over on the mat as shown in FIGURE 7.

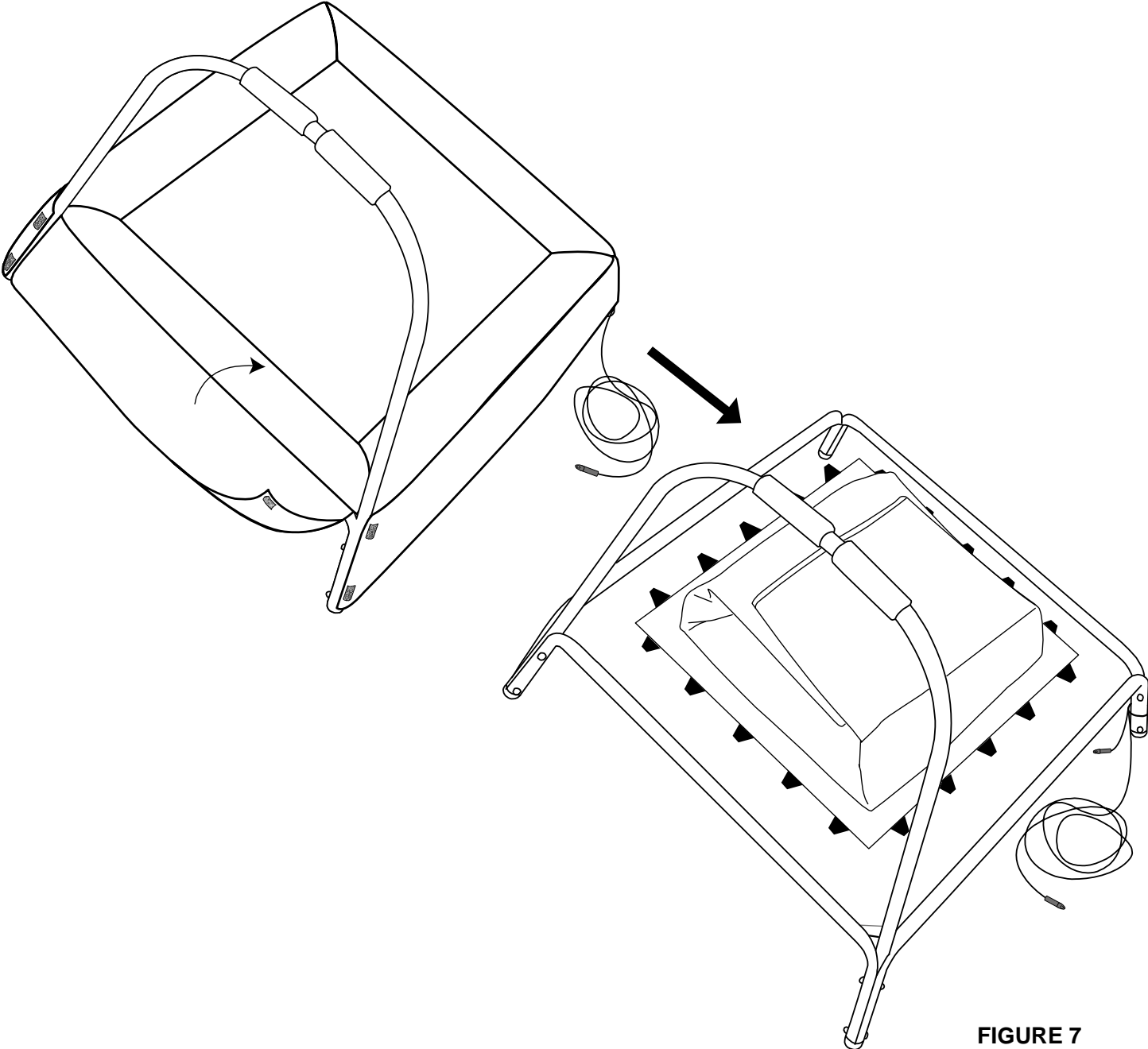


FIGURE 7

NOTE: Wear gloves before assembling this step

Step 7

Thread the Elastic Bungee Cord (#6) through the loops stitched on the mat and around the frame until it is secured all the way around the frame as shown in Figure 8.

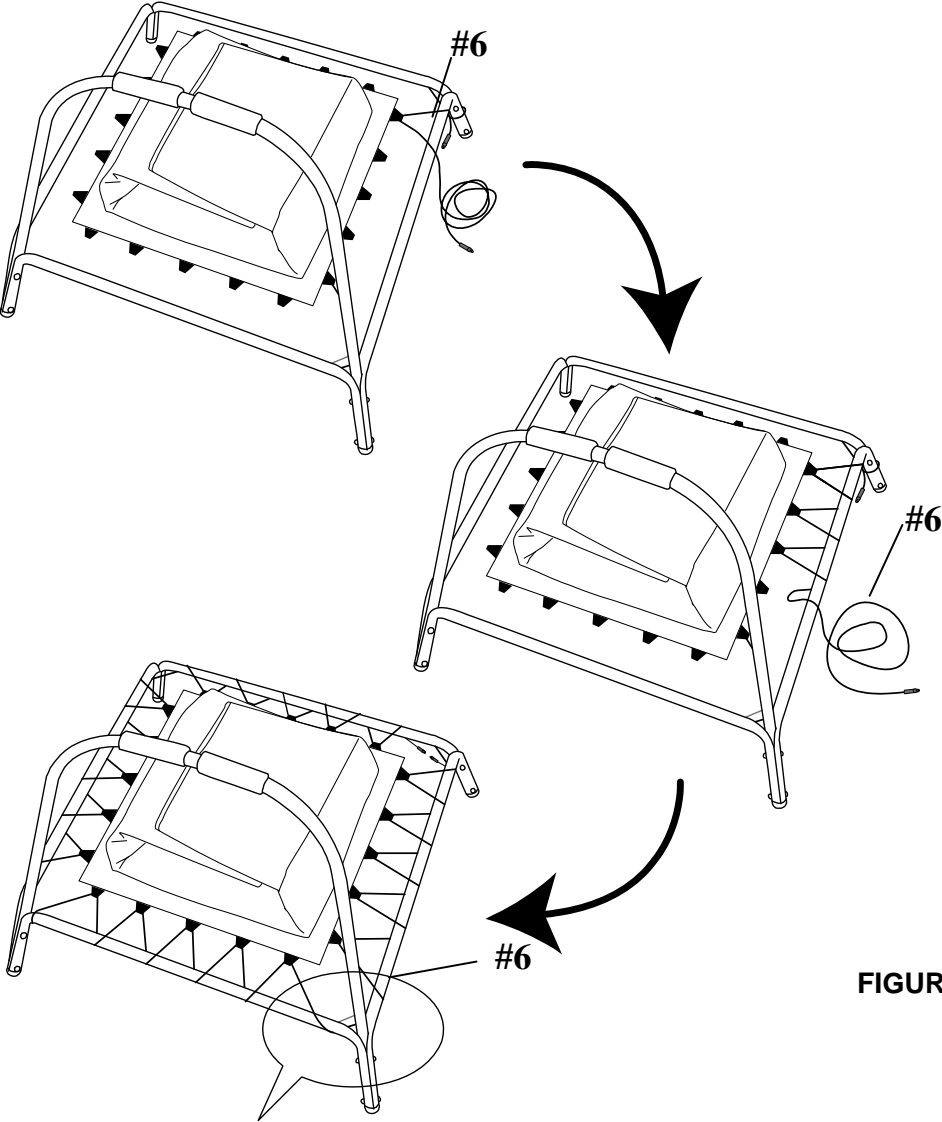


FIGURE 8

Assembly Tip: Make sure to strand the cord so it is beneath the four corners.

Step 8

After the bungee cord is threaded completely, connect the two ends together with clamp clip and cover with PVC tube, as shown in FIGURE 9 and FIGURE 10.

Step 9

Adjust the bungee cord so it is evenly spread out on all sides.

FIGURE 9

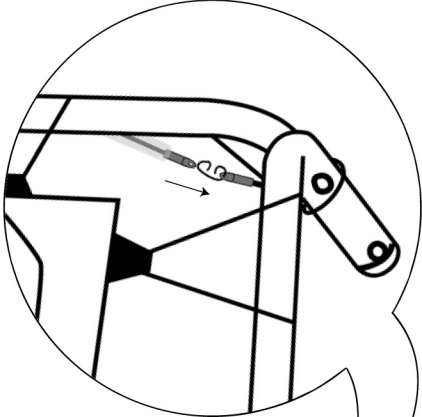
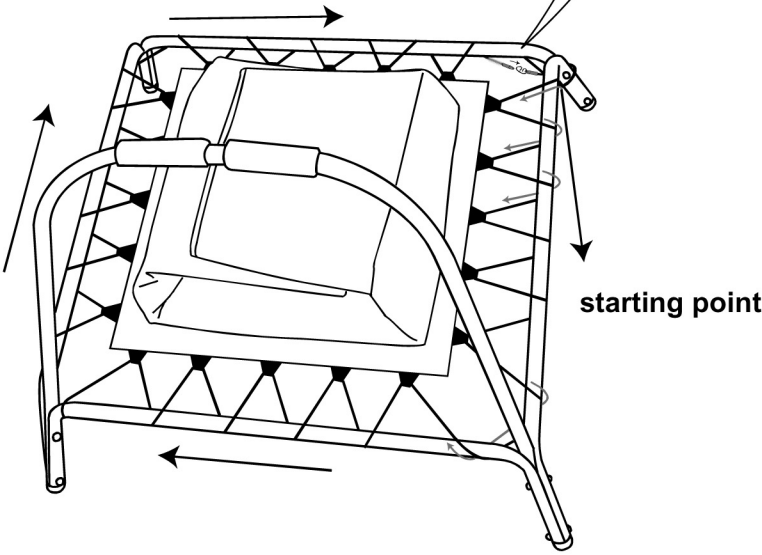
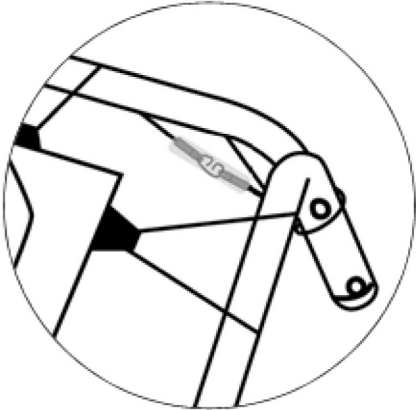


FIGURE 10



Step 10

In the event that the frame is not even on all sides, position one leg on the ground and push down on the other sides until it is properly assembled as a square shape as shown in FIGURE 11.

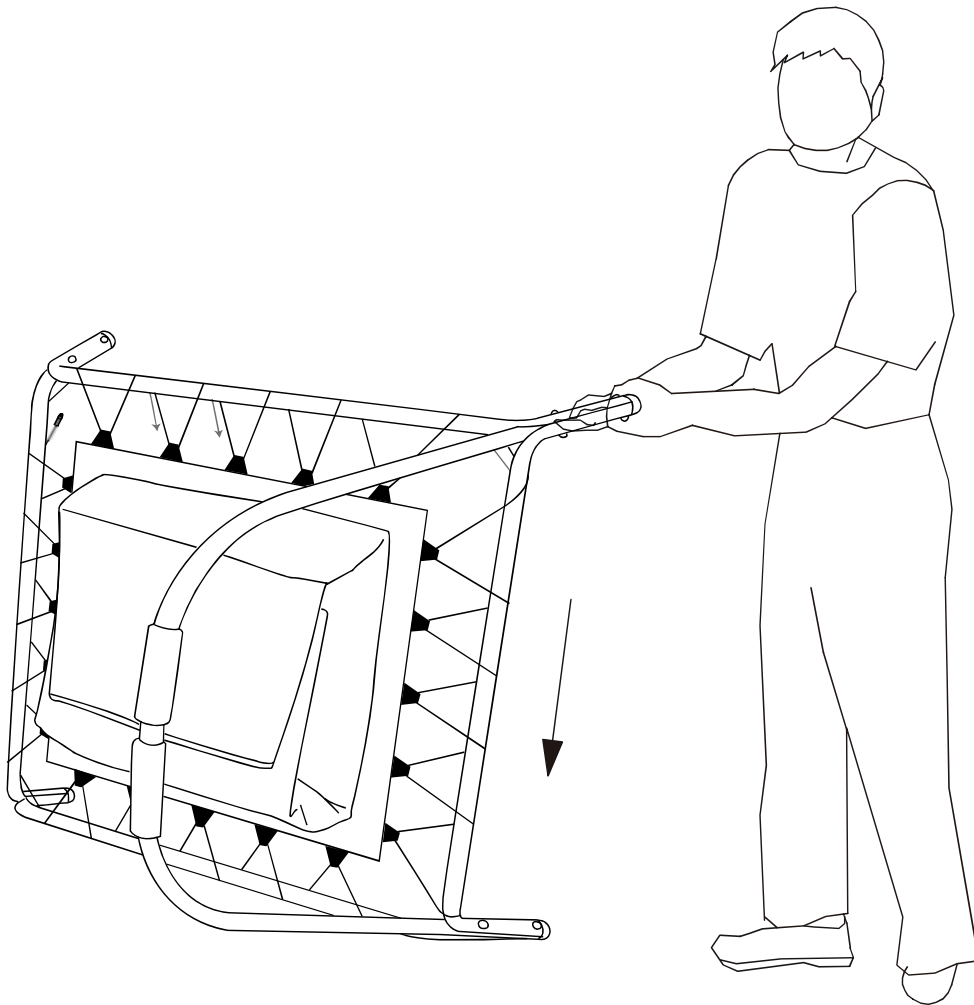


FIGURE 11

Note: go back to re-check and tighten all screws and nuts.

Step 11

Flip the edge of pad over to cover the entire frame. Secure the two touch fasteners around the back of the trampoline handle rail as shown in FIGURE 12.

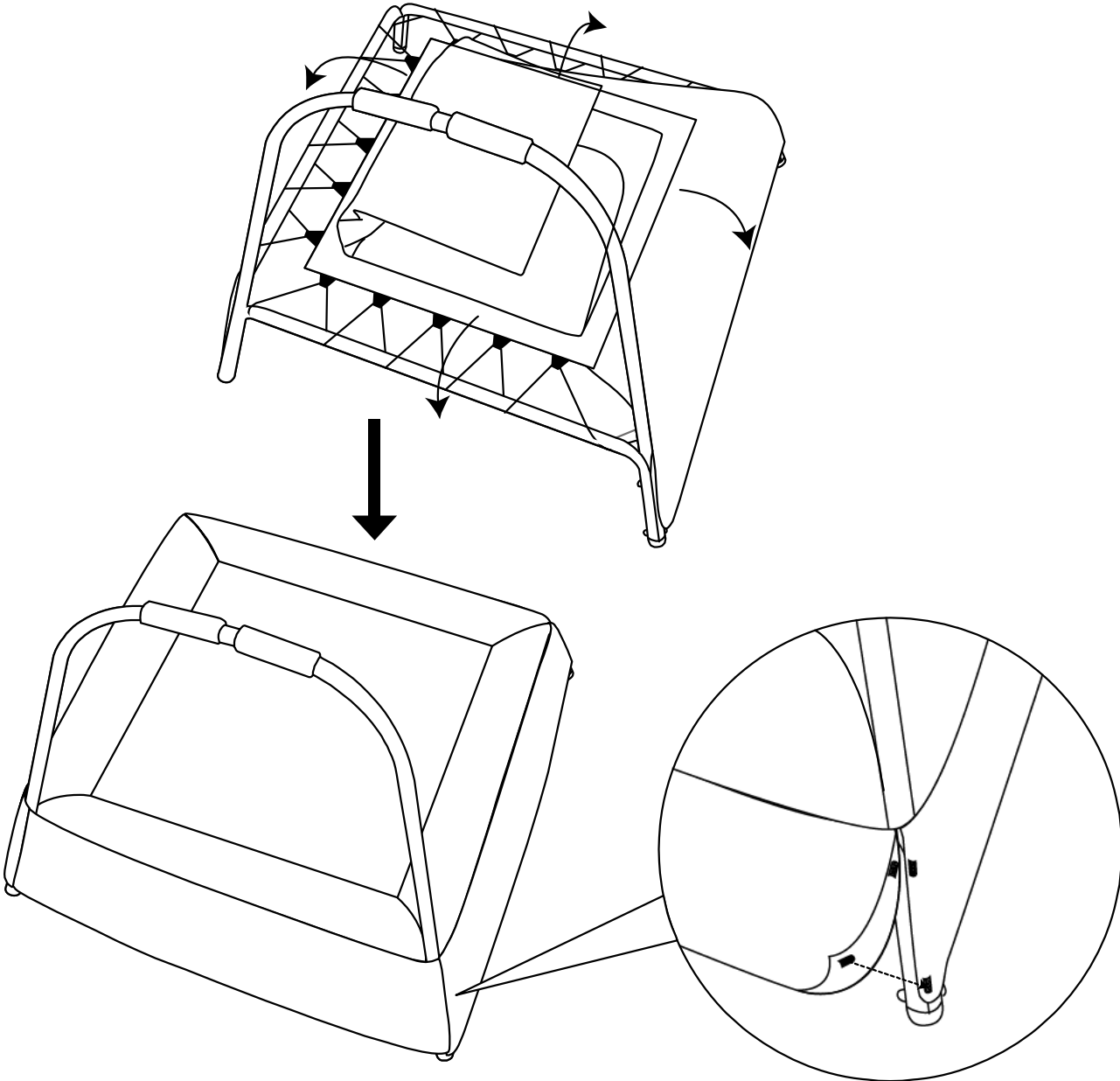


FIGURE 12

Step 12

Tie elastic band around the other two back legs as shown in FIGURE 13.

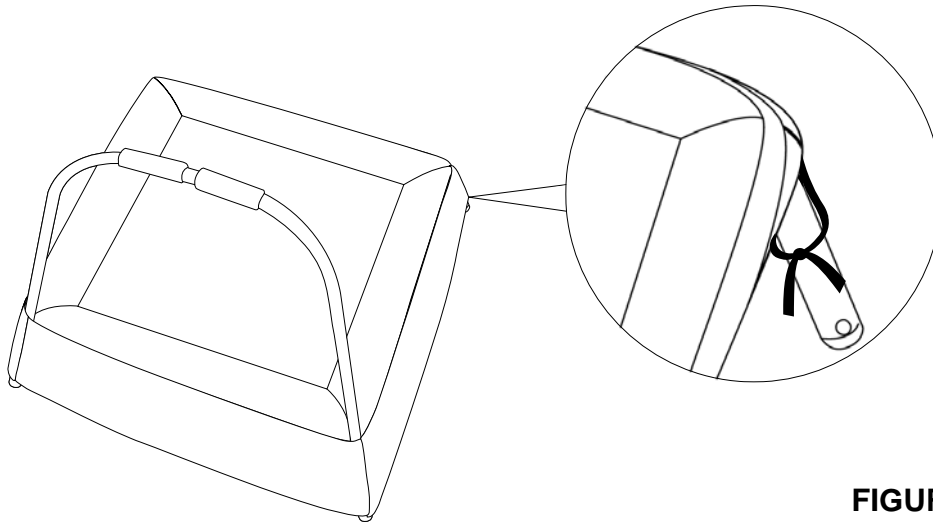


FIGURE 13

SAFETY NOTES:

Always place the trampoline on a levelled surface before assembly and use. Place the Trampoline on a Slip - resistant and levelled surface such as on carpet or on a large rubber mat when used indoors. Do not place the trampoline on smooth or slippery surfaces such as a concrete or tiled floor. Make sure there are no obstructions beneath, above, or around the product.

SAFETY NOTES:

- Adult assembly required.
- Adult supervision required when product in use.
- For children 3 years old and over.
- For domestic indoor / outdoor use
- The mini jumper must be placed on a level playing surface away from any structure or obstruction, for example; laundry lines, electrical wires, garage, fence.
- Maximum weight should not exceed 35kgs / 77lbs.
- Children must understand how to use the product safely.
- DO NOT allow children to play around product when in use
- DO NOT allow more than 1 child to use this product at a time.

MAINTENANCE INSTRUCTIONS:

- Checking fixings should be carried out regularly. Injury may be a result if you fail to do so .
- Checking the nuts and bolts on a regular basis for tightness, sharp edges or deterioration. Tighten or replace when required.
- Check paintwork regularly and if needed touch up with non-toxic enamel.

Product Warranty

This product is warranted to be free from defects in material and workmanship under normal use and service conditions for ninety (90) days after the date of purchase. The frame on trampolines is warranted for two (2) years after the date of purchase.

All warranty coverage extends only to the original purchaser of the product and is not assignable or transferable. The original store or online purchase receipt must be kept as proof of purchase in order for the warranty to be valid. These documents must be presented in the event of making a warranty claim.

During the warranty period, we will provide repair or replacement of defective equipment or parts thereof covered by the warranty. Any handling, transportation, delivery and other incidental charges in respect of the servicing of the equipment shall be borne by the Purchaser. If the product includes a number of accessories, only the defective part or accessory will be replaced.

The warranty will become void if any defects or damages are associated with the use of unauthorised replacement parts. All replacement parts must be obtained from our authorised agents.

All decisions made by the manufacturer in respect of the servicing of the equipment (including repairs, replacements or issues relating to defects of workmanship or materials) shall be conclusive and the Purchaser agrees to be bound by such decisions. Any defective equipment or part thereof replaced shall become the property of the manufacturer.

In the event of a product or accessory being replaced during the guarantee, the guarantee on the replacement will expire at the original date, i.e. 90 days from the original purchase date.

This warranty excludes defects caused by the product not being used in accordance with instructions, accidental damage, misuse or being tampered with by unauthorised persons.

This Limited Warranty does not cover:

- a) Products used for commercial or rental purposes.
- b) Loss or damage to product due to:
 - i. Abuse, repairs and/or tampering by any person other than our authorised personnel
 - ii. Negligence and/or misuse (including foreign objects, accidents, improper storage, exposure to sun/moisture, excessive temperature, sand, dust, dirt, other pollution or other environmental conditions and failure to follow precautions or proper operating instructions stated in the Instruction Manual such as improper installations)
 - iii. Fire, flood, lightning strike, wind storm or other acts of God
 - iv. Freight or improper transport damages, and
 - v. Improper usage (including use by underage, overweight or excessive number of users permitted as stated in the Instruction Manual).
- c) Defects, damages or accidents due to the malfunction, connection to or use of unauthorised parts. In such event, we reserve the right to cancel the Limited Warranty coverage immediately.

To the extent allowed by the applicable local law, the remedies in the Limited Warranty are the Purchaser's sole and exclusive remedies.

PRODUCT WARRANTY

THE MANUFACTURER IS NOT RESPONSIBLE OR LIABLE FOR INDIRECT, SPECIAL OR CONSEQUENTIAL DAMAGES ARISING OUT OF OR IN CONNECTION WITH THE USE OR PERFORMANCE OF THE PRODUCT OR OTHER DAMAGES WITH RESPECT TO ANY ECONOMIC LOSS, LOSS OF PROPERTY, LOSS OF REVENUE OR PROFITS, LOSS OF ENJOYMENT OR USE, COST OF REMOVAL, INSTALLATION OR OTHER CONSEQUENTIAL DAMAGES.

THE WARRANTY EXTENDED HEREUNDER IS IN LIEU OF ALL OTHER WARRANTIES AND ANY IMPLIED WARRANTY OF MERCHANTABILITY OR FITNESS FOR A PARTICULAR PURPOSE IS LIMITED IN ITS SCOPE AND DURATION TO THE TERMS SET FORTH HEREIN.

PLEASE NOTE: ANY REPAIRS OR REPLACEMENTS MUST BE MADE USING MANUFACTURER AUTHORISED PARTS IN ORDER FOR THIS WARRANTY TO BE VALID.

DO NOT RETURN PRODUCT TO THE STORE. PLEASE CONTACT OUR CUSTOMER SERVICE FOR PARTS OR ASSEMBLY INSTRUCTIONS. STORES ARE NOT EQUIPPED TO PROVIDE CUSTOMER SERVICE FOR THIS PRODUCT.

TASMAN SPORTS

SHEEHAN ROAD, WESTHEIDELBERG, VICTORIA

SERVICE PHONE NUMBER 1-800-333-061

MODEL NUMBER #MSC-3720-H

SP-JH-MSC-3720-H-KM AU-16001